

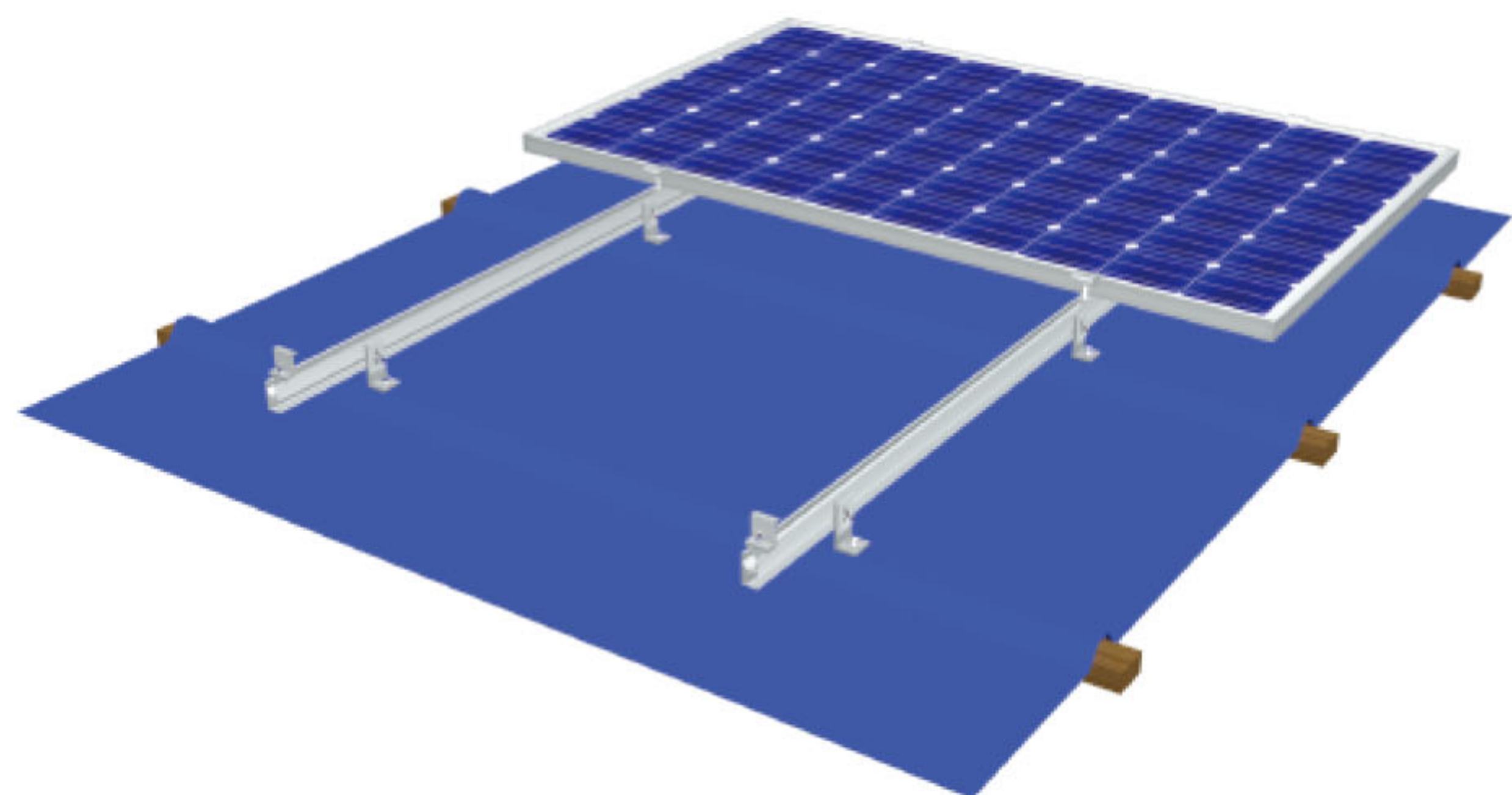


do My Best, to be the best!

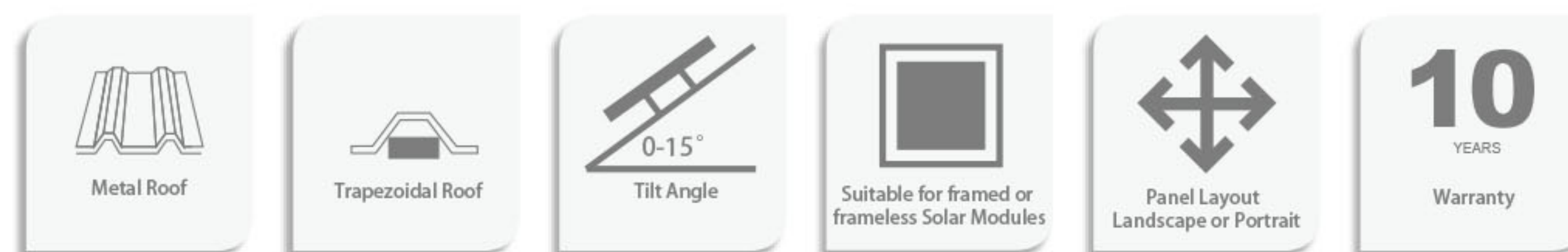
MIBET ENERGY

MRac L Feet and Hanger Bolt Kit Metal Roof PV Mounting System

Overview



MRac L feet Kit and Hanger Bolt Kit are applied in most Corrugated Metal Roof commercial and industrial solar projects. The system can achieve stable and strong connection between the roof support structure and solar modules with modular Patented design. Pre-assembled kits save the installation time and cost on site.



Technical Parameter

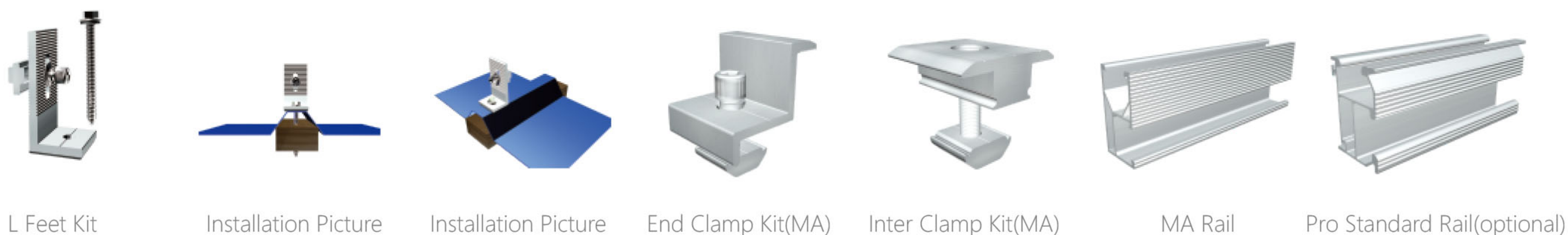
System Name	MRac L Feet Kit & Hanger Bolt Kit	Design Standard	AS/NZS 1170, DIN 1055, JIS C8955: 2017,
Installation Site	Pitched Roof		International Building Code IBC 2009,
Foundation	Trapezoidal Roof		California Building Code CBC 2010;
Tilt Angle	0-15°	Rail	Al6005-T5(Anodized)
Wind Load	60m/s	Fastener	SUS304 & Zinc-Nickel Alloy Electroplated Steel
Snow Load	1.6KN/m ²	Small Components	Al6005-T5(Anodized)
Applicable Solar Module	Framed or Frameless	Color	Silver or Customized
Panel Layout	Portrait or Landscape	Warranty	10-Year Warranty

Certified by TUV, SGS and qualified consultants in AU, JP, ASEAN, CN, UK, EU, US



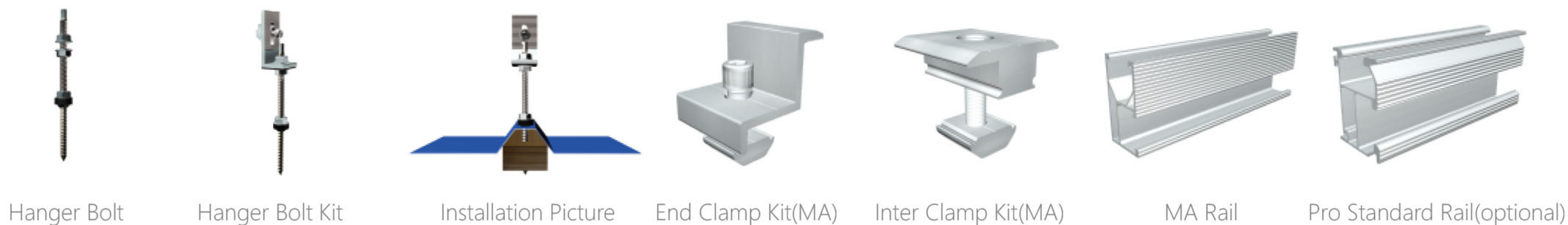
Components Data

Components	L Feet(black or silver), EPDM Pad, Cross Module, Spring Washer M8 , Flat Washer M8, Sharp-Point Wood Screw M6*80, Hexagon Socket Head Bolt M8*25
Package	40sets/small carton, 160sets/large carton



Components Data

Components	L Feet, Hanger Bolt M10*200, EPDM Pad M10, Washer M8, Cross Module, Conical Washer M8, Hexagon Socket Head Bolt M8*25
Package	20sets/small carton, 80sets/large carton



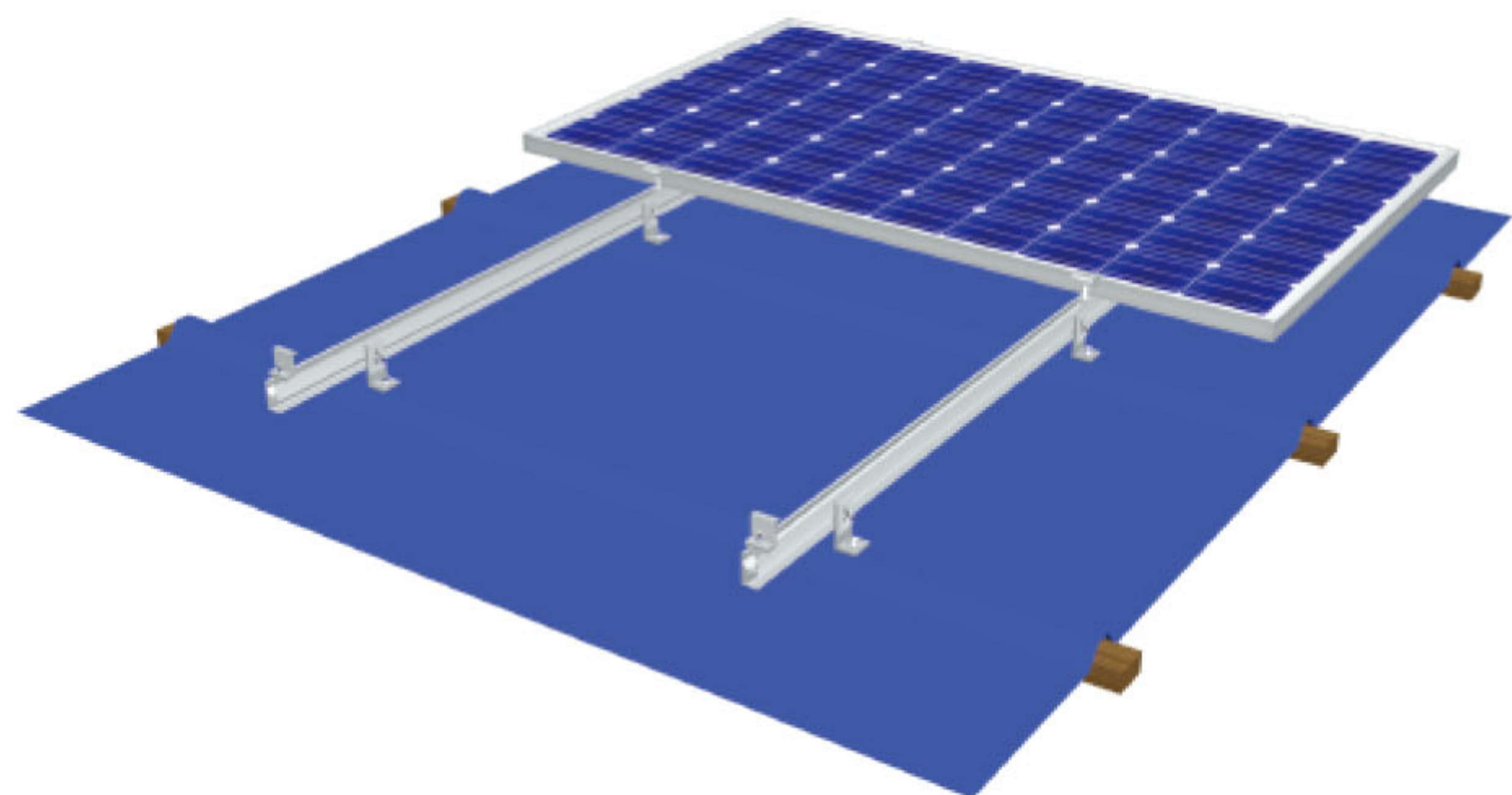


do My Best, to be the best!

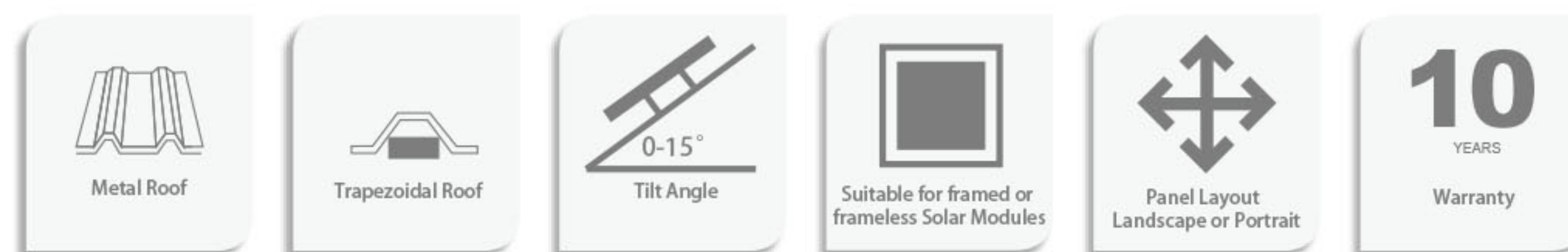
MIBET ENERGY

MRac L Feet and Hanger Bolt Kit Metal Roof PV Mounting System

Overview



MRac L feet Kit and Hanger Bolt Kit are applied in most Corrugated Metal Roof commercial and industrial solar projects. The system can achieve stable and strong connection between the roof support structure and solar modules with modular Patented design. Pre-assembled kits save the installation time and cost on site.



Technical Parameter

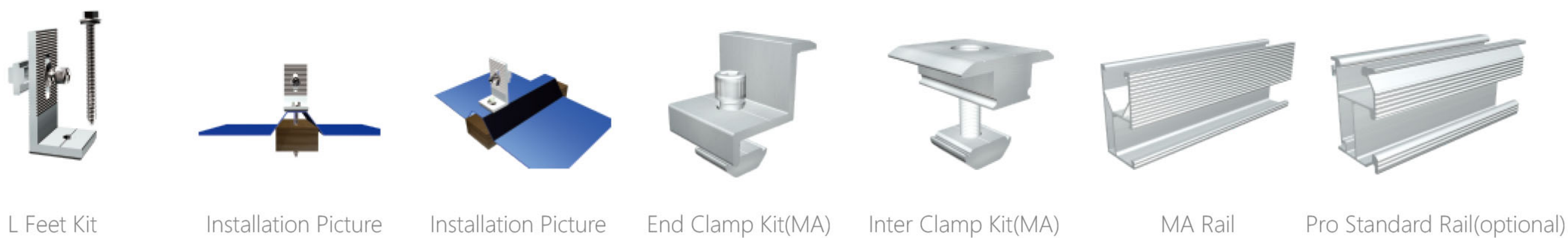
System Name	MRac L Feet Kit & Hanger Bolt Kit	Design Standard	AS/NZS 1170, DIN 1055, JIS C8955: 2017,
Installation Site	Pitched Roof		International Building Code IBC 2009,
Foundation	Trapezoidal Roof		California Building Code CBC 2010;
Tilt Angle	0-15°	Rail	Al6005-T5(Anodized)
Wind Load	60m/s	Fastener	SUS304 & Zinc-Nickel Alloy Electroplated Steel
Snow Load	1.6KN/m ²	Small Components	Al6005-T5(Anodized)
Applicable Solar Module	Framed or Frameless	Color	Silver or Customized
Panel Layout	Portrait or Landscape	Warranty	10-Year Warranty

Certified by TUV, SGS and qualified consultants in AU, JP, ASEAN, CN, UK, EU, US



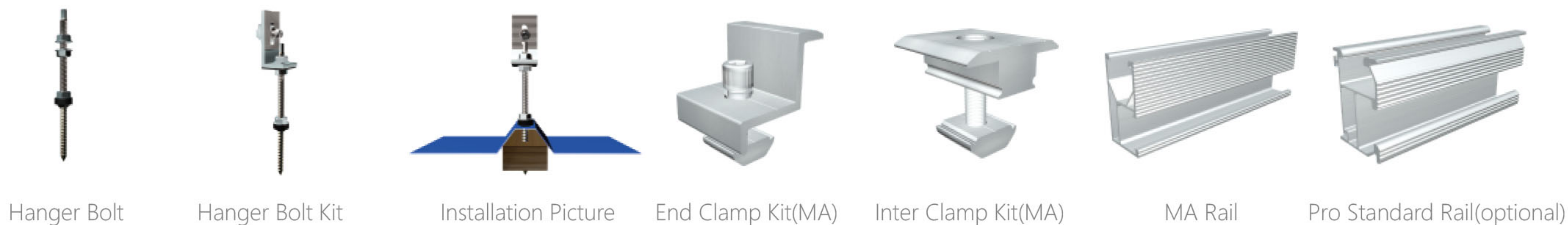
Components Data

Components	L Feet(black or silver), EPDM Pad, Cross Module, Spring Washer M8 , Flat Washer M8, Sharp-Point Wood Screw M6*80, Hexagon Socket Head Bolt M8*25
Package	40sets/small carton, 160sets/large carton



Components Data

Components	L Feet, Hanger Bolt M10*200, EPDM Pad M10, Washer M8, Cross Module, Conical Washer M8, Hexagon Socket Head Bolt M8*25
Package	20sets/small carton, 80sets/large carton



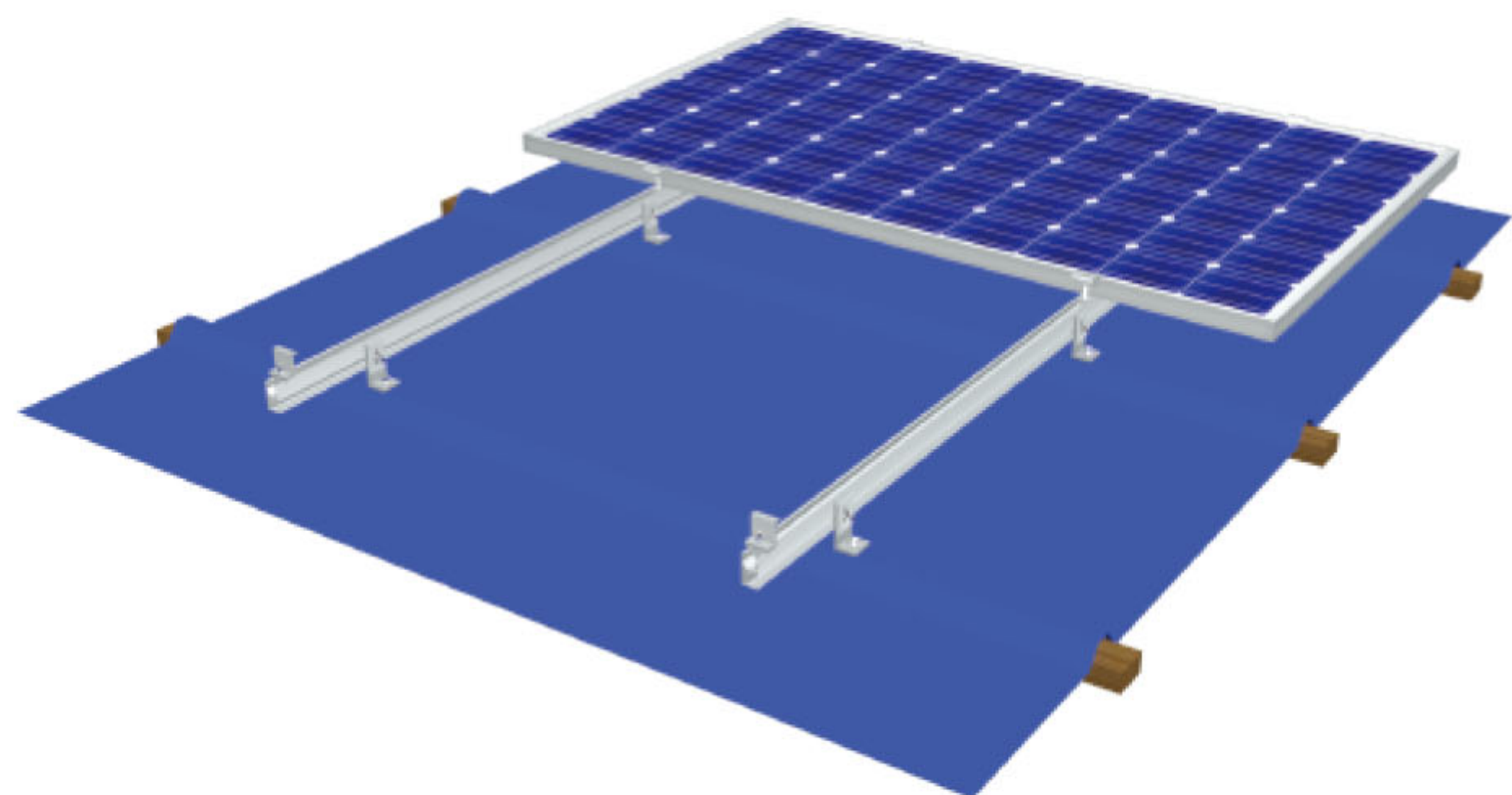


do My Best, to be the best!

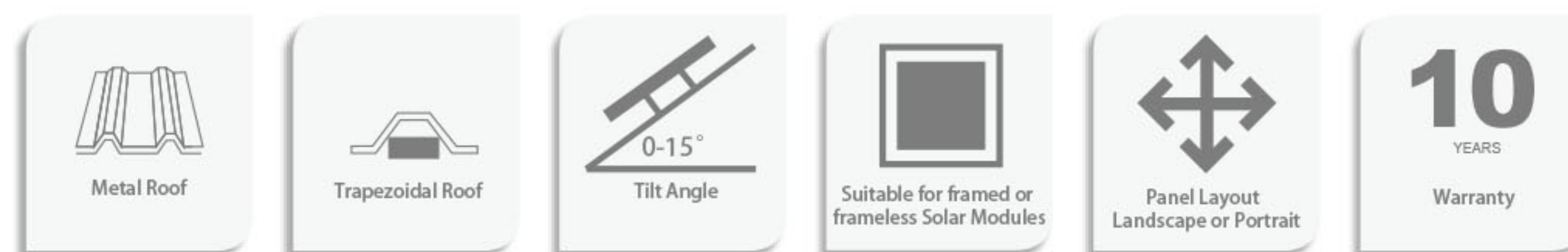
MIBET ENERGY

MRac L Feet and Hanger Bolt Kit Metal Roof PV Mounting System

Overview



MRac L feet Kit and Hanger Bolt Kit are applied in most Corrugated Metal Roof commercial and industrial solar projects. The system can achieve stable and strong connection between the roof support structure and solar modules with modular Patented design. Pre-assembled kits save the installation time and cost on site.



Technical Parameter

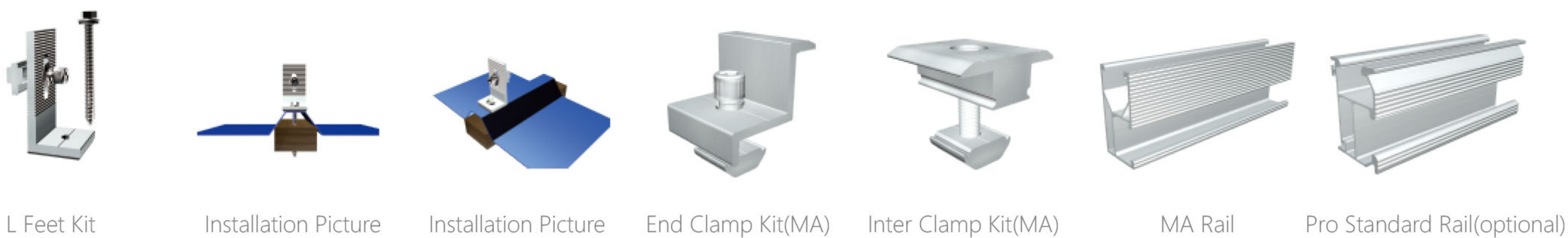
System Name	MRac L Feet Kit & Hanger Bolt Kit	Design Standard	AS/NZS 1170, DIN 1055, JIS C8955: 2017,
Installation Site	Pitched Roof		International Building Code IBC 2009,
Foundation	Trapezoidal Roof		California Building Code CBC 2010;
Tilt Angle	0-15°	Rail	Al6005-T5(Anodized)
Wind Load	60m/s	Fastener	SUS304 & Zinc-Nickel Alloy Electroplated Steel
Snow Load	1.6KN/m ²	Small Components	Al6005-T5(Anodized)
Applicable Solar Module	Framed or Frameless	Color	Silver or Customized
Panel Layout	Portrait or Landscape	Warranty	10-Year Warranty

Certified by TUV, SGS and qualified consultants in AU, JP, ASEAN, CN, UK, EU, US



Components Data

Components	L Feet(black or silver), EPDM Pad, Cross Module, Spring Washer M8 , Flat Washer M8, Sharp-Point Wood Screw M6*80, Hexagon Socket Head Bolt M8*25
Package	40sets/small carton, 160sets/large carton



Components Data

Components	L Feet, Hanger Bolt M10*200, EPDM Pad M10, Washer M8, Cross Module, Conical Washer M8, Hexagon Socket Head Bolt M8*25
Package	20sets/small carton, 80sets/large carton

