

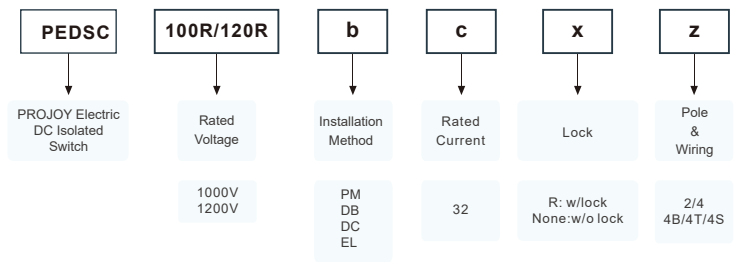
PEDSC100R/120R Series DC Isolated Switch



Features

- Non-polarity DC Isolator Switch.
- Pannel Mounting, Distribution Board, Door Clutch Mounting or Plastic Enclosure optional.
- Compact structure and modular design, levels with different Poles from 2 to 8 are available.
- Parallel connections design, more big bore diameter makes connection fastness and flexibility.
- Fast switching structure, arcing time normally occurs less than 3ms.
- Self-cleaning contact mechanism, extending the lifespan of switch.
- Dynamic sealing design and world class sealing materials guarantee an IP66 protection rate.
- UL94V-0 standard flame resistant materials , the product can be full loading operation at temperatures -40 C ~+70 C .
- DC 1500V insulation voltage design, with TUV, CE(IEC/EN60947-3:2009+A1+A2), SAA(AS60947.3), DC-PV1 and DC-PV2. certifications.

Select Code



Technical data

Data according to IEC/EN60947-3:2009+A1+A2, AS60947.3. Utilization category DC-PV1, DC-PV2

Main Parameters				PEDSC100/R120R-32-X
Rated insulation voltage	Ui		V	1500
Rated thermal current	Ithe		A	32
Rated impulse withstand voltage	Uimp		V	8000
Rated short-circuit making capacity	Icw		A	1000
Rated conditional short-circuit current	Icm	2, 4	A	5000
Max. fuse size	gL (gG)			80
Maximum cable cross sections (incl. jumper)				
Solid or standard			mm2	4-16
Flexible			mm2	4-10
Flexible (+ multicore cable end)			mm2	4-10
Torque				
Tightening torque terminal screws M4.			Nm	1.2-1.8
Tightening torque shell mounting screws ST4.2(304 stainless steel)			Nm	1.5-2.0
Tightening torque knob screws M3			Nm	0.5-0.7
Switching on or off torque			Nm	0.9-1.3
The wiring torque on base			Nm	1.1-1.4
General parameters				
Knob positions				OFF at 9 hr, ON at 12 hr
Mechanical life				10000
Number of DC poles				2 or 4 (6, 8 optional)
Operation temperature			°C	-40 to +85
Storage temperature			°C	-40 to +85
Pollution degree				2
Overvoltage category				III
IP rating of shafte and mounting nul				IP66

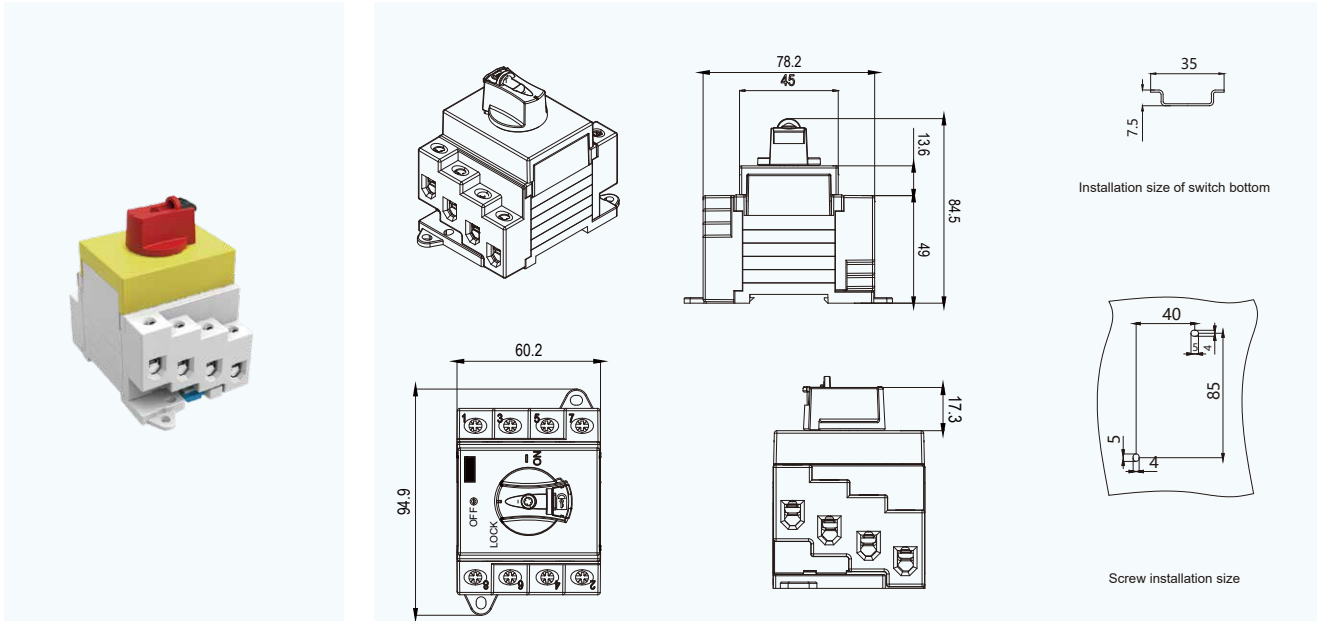
ProJoy Electric Co., Ltd.

XinTang Industrial Zone, PingJiang District, Suzhou, China
 Tel: +86 512 6878 6489 | Fax: +86 512 6878 6489
 Email: sales@projoy-electric.com | www.projoy-electric.com

DISTRIBUTION BOARD DC ISOLATOR

PEDSC100R/120R-DB32

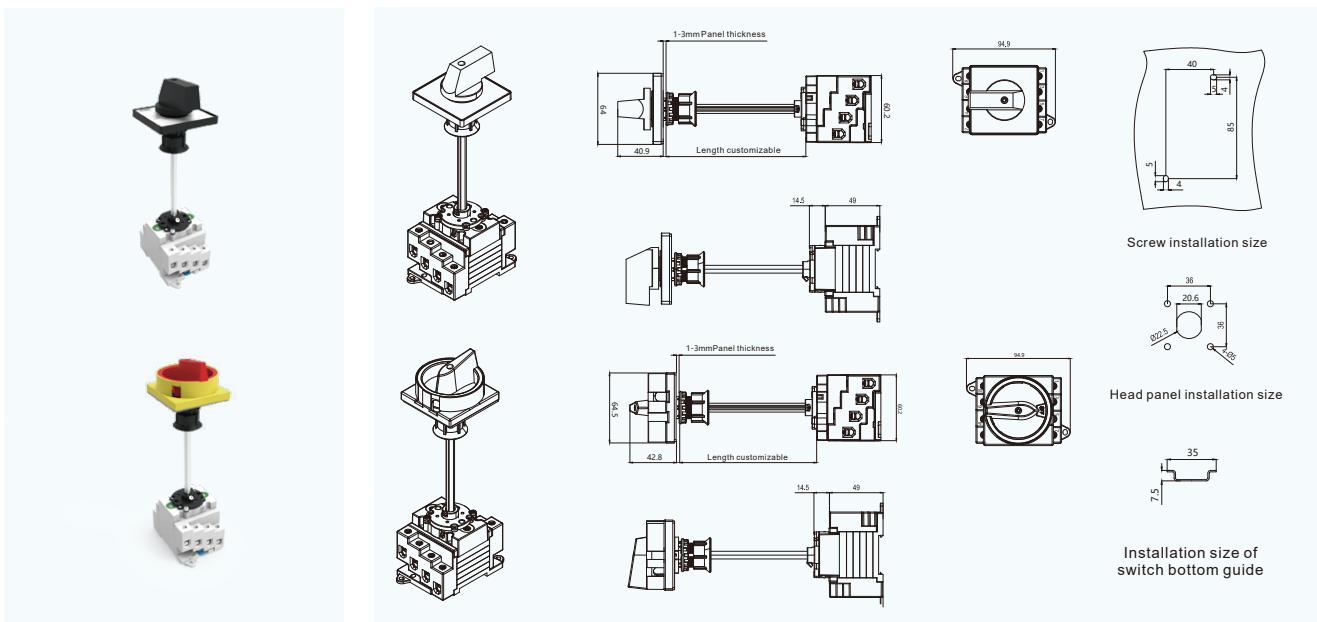
Dimensions



DOOR CLUTCH DC ISOLATOR

PEDSC100R/120R-DC32R

Dimensions

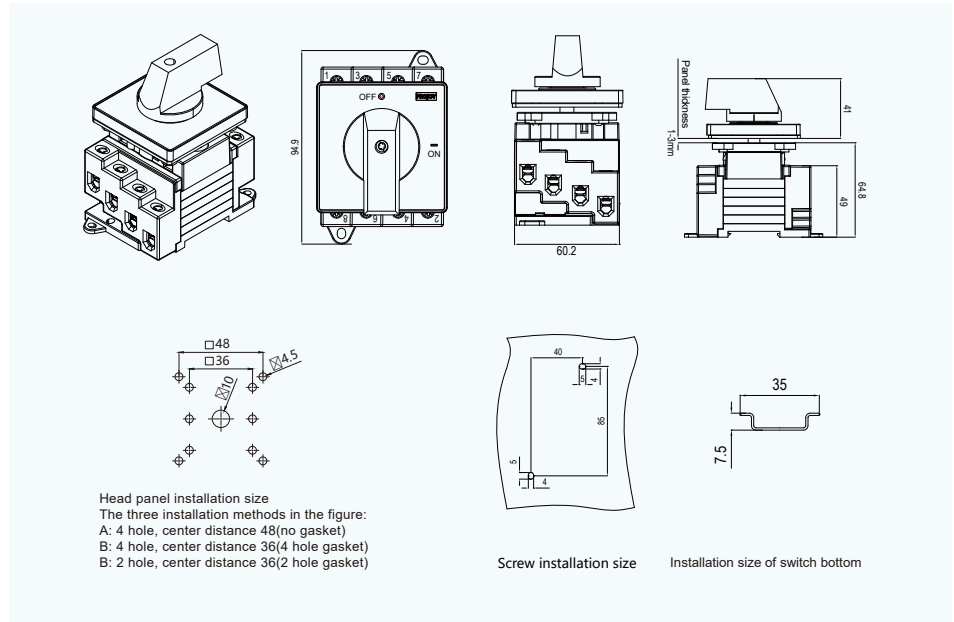


PANEL MOUNTING DC ISOLATOR

PEDSC100R/120R-PM32R

Dimensions

PEDSC100R/120R-PM32R



PEDSC100R/120R-PM32R

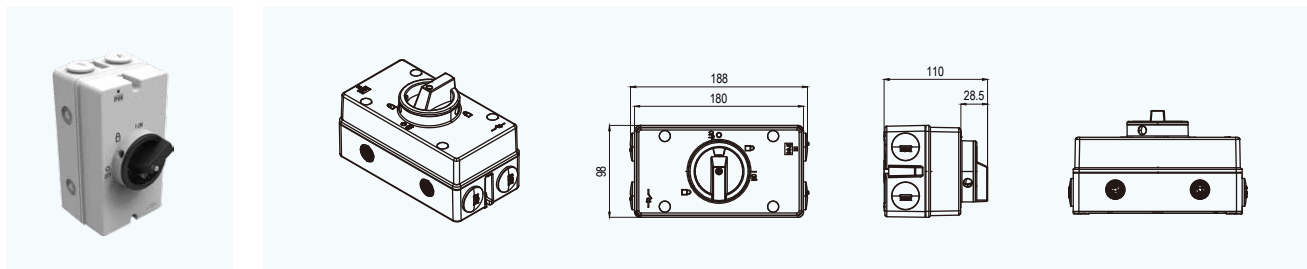


ENCLOSURE DC ISOLATOR

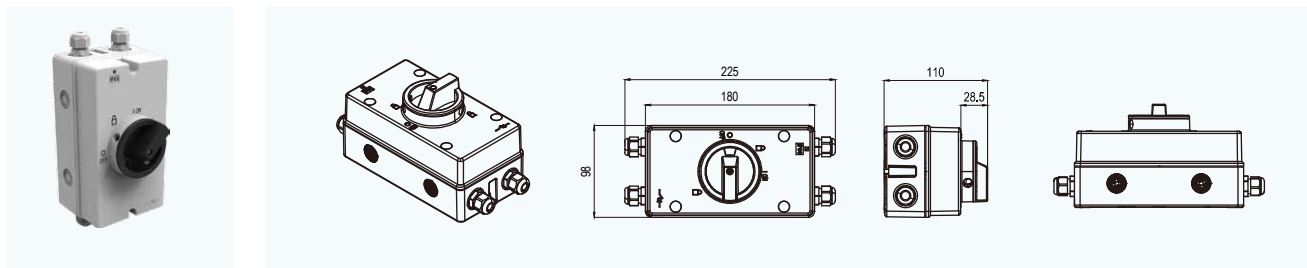
PEDSC100R/120R-EL32R

Dimensions

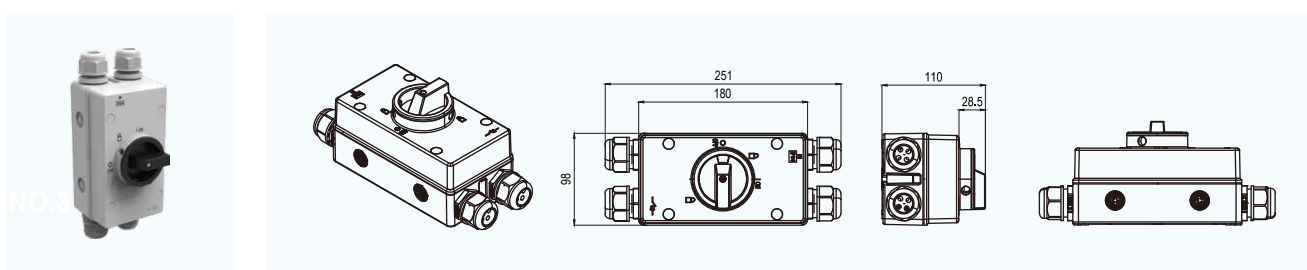
PEDSC100R/120R-EL32R



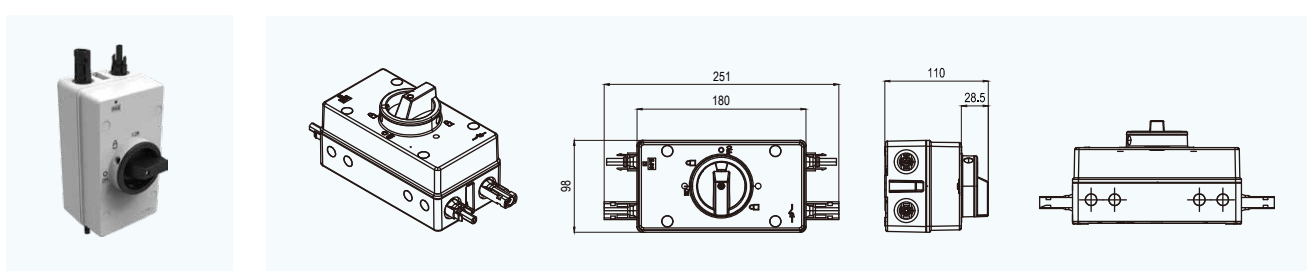
PEDSC100R/120R-EL32R M16



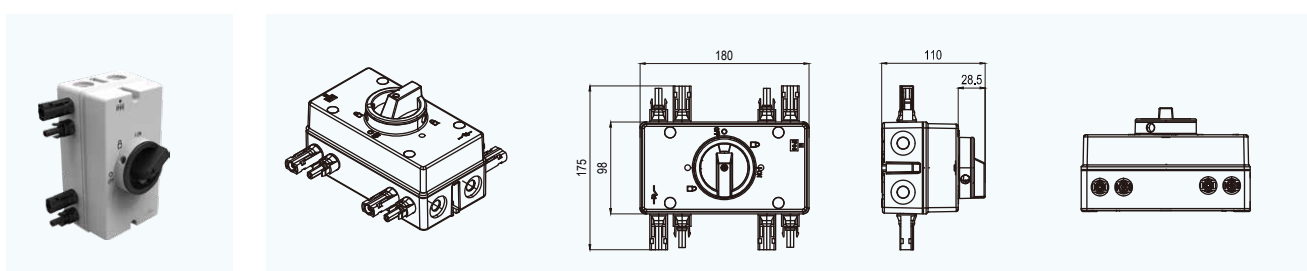
PEDSC100R/120R-EL32R M25



PEDSC100R/120R-EL32R MC4



PEDSC100R/120R-EL32R 2MC4



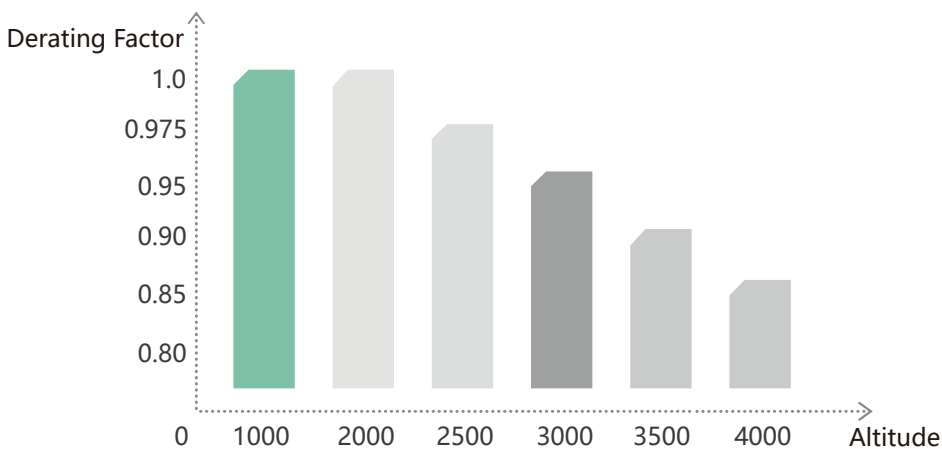
Technical data

Data according to IEC/EN60947-3:2009+A1+A2, AS60947.3, Utilization category DC-PV1, DC-PV2							Poles in series	No. of Strings	Part Number	Contact Configuration
500V	600V	700V	800V	900V	1000V	1200V				
32	32	32	32	23	16	/	2	1	PEDSC100R-X-2	
32	32	32	32	23	16	13	2	1	PEDSC120R-X-2	
32	32	32	32	23	16	/	4	2	PEDSC100R-X-4	
32	32	32	32	23	16	13	4	2	PEDSC120R-X-4	
32	32	32	32	32	32	/	4	1	PEDSC100R-X-4S	
32	32	32	32	32	32	32	4	1	PEDSC120R-X-4S	
32	32	32	32	32	32	/	4	1	PEDSC100R-X-4B	
32	32	32	32	32	32	32	4	1	PEDSC120R-X-4B	
32	32	32	32	32	32	/	4	1	PEDSC100R-X-4T	
32	32	32	32	32	32	32	4	1	PEDSC120R-X-4T	

Switching Configuration

Type	2-pole	4-pole	4-pole with Input on top Output bottom	4-pole with Input and Output bottom	4-pole with Input and Output on top
PEDSC100R/120R	2	4	4S	4B	4T
Contacts Wiring graph					
Switching example					

Altitude Derating Curve



PROJOY electric

— *Switch To Safety!* —

ProJoy Electric Co., Ltd.

XinTang Industrial Zone, PingJiang District, Suzhou, China
Tel: +86 512 6878 6489 | Fax: +86 512 6878 6489
Email: sales@projoy-electric.com | www.projoy-electric.com

